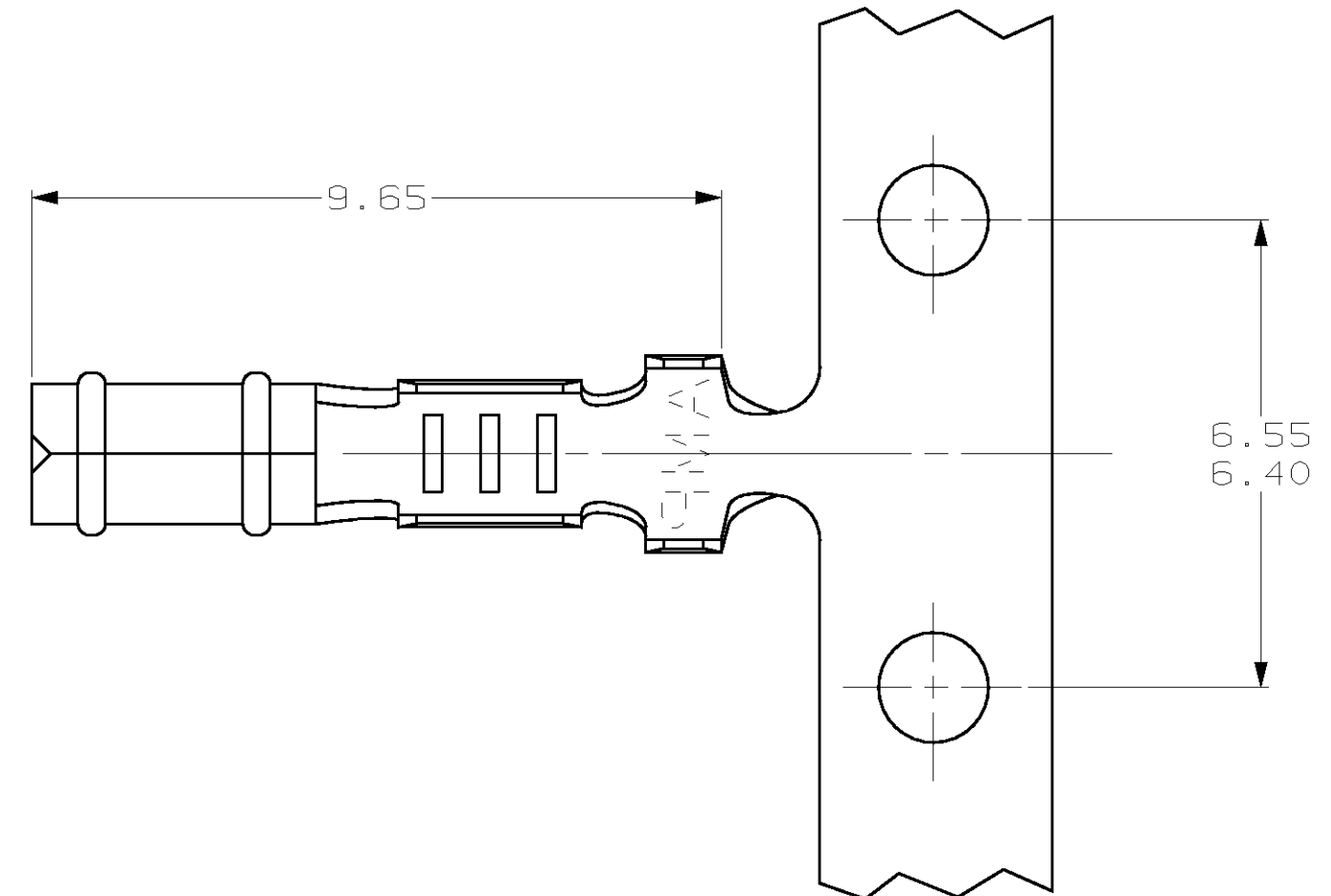


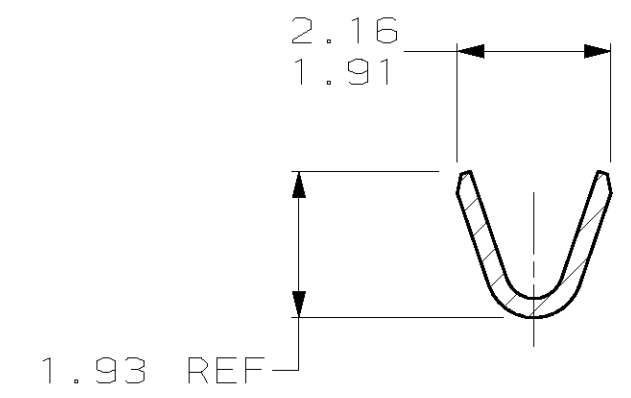
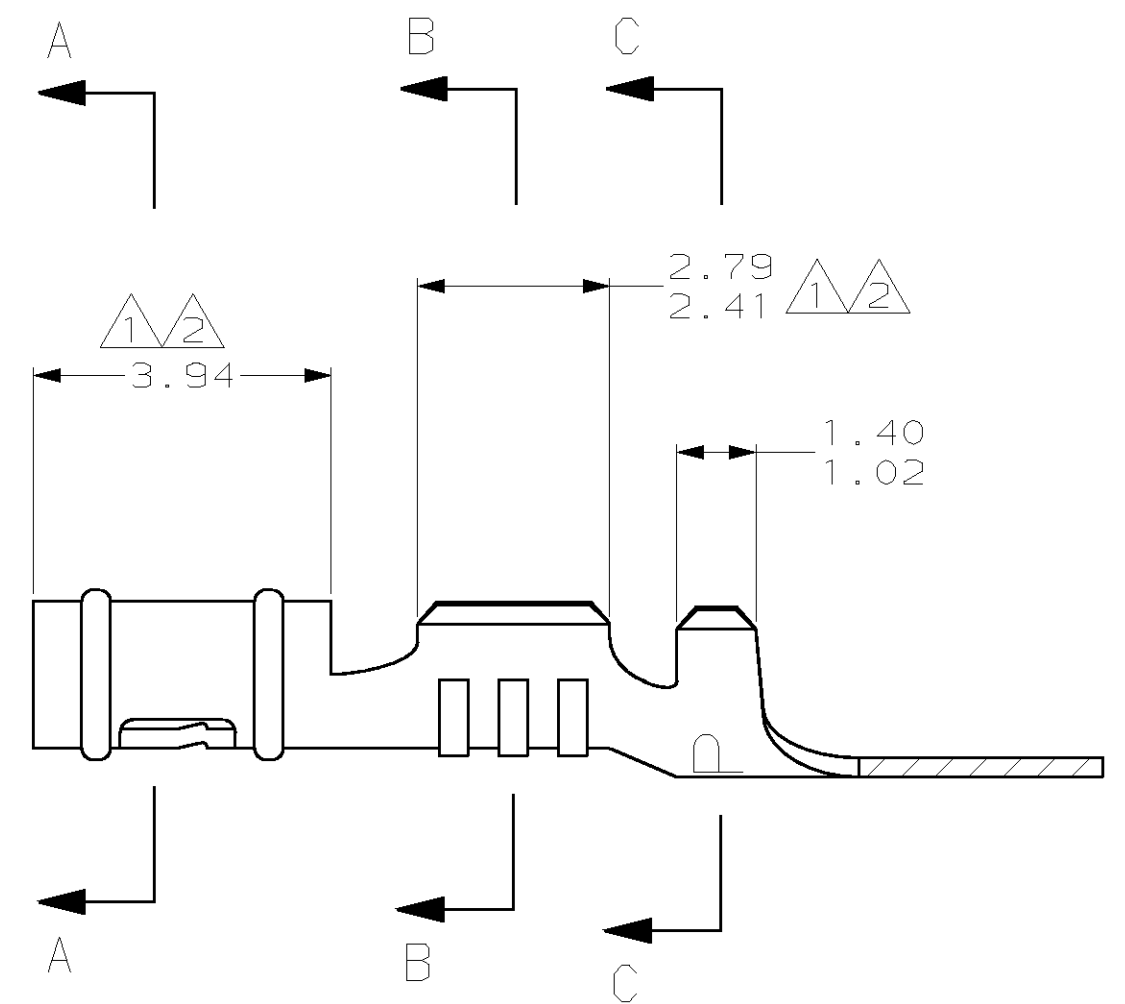
THIS DRAWING IS UNPUBLISHED. RELEASED FOR PUBLICATION .19  
 (C) COPYRIGHT 19 BY AMP INCORPORATED. ALL RIGHTS RESERVED.

LOC		DIST		REVISIONS			
P	LTR	DESCRIPTION	DATE	DWN	APVD		
CM	52	AH	REV PER EC 061B-0030-99	05-MAR-99	JH	RS	

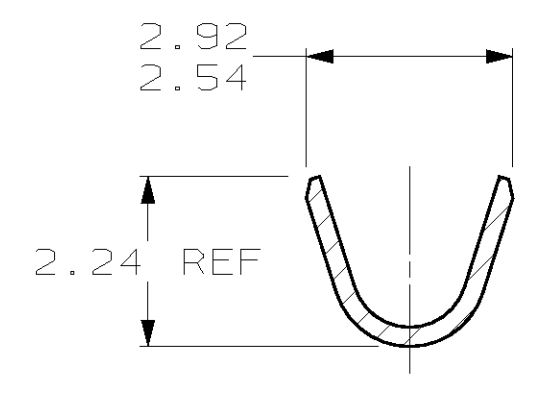
- ① 0.00038 MIN SELECTIVE GOLD PLATING ON INSIDE OF RECEPTACLE AND WIRE BARREL OVER NICKEL OVER ALL UNDERPLATE.
- ② 0.00076 MIN SELECTIVE GOLD PLATING ON INSIDE OF RECEPTACLE AND WIRE BARREL OVER NICKEL OVER ALL UNDERPLATE.
- 3. WIRE RANGE: 0.2 - 0.6 MM<sup>2</sup> (24 - 20 AWG)
- 4. INSULATION RANGE: 1.14 - 1.78
- ⑤ REVERSED REELED.



SECTION A-A



SECTION B-B



SECTION C-C

⑤	⑤	0.25 BE CU	60598-9	
⑤	⑤	0.25 BE CU	60598-8	
⑤	⑤	0.25 PH BRZ	60598-7	
⑤	⑤	0.25 PH BRZ	60598-5	
		MATTE TIN	0.25 BE CU	60598-4
		PRE-TIN	0.25 PH BRZ	60598-3
⑤	⑤	MATTE TIN	0.25 BE CU	60598-2
⑤	⑤	PRE-TIN	0.25 PH BRZ	60598-1
		FINISH	MATERIAL	PART NUMBER

MM	IN	MM	IN	MM	IN	MM	IN
1.14	.045	1.91	.075	2.79	.110	-	-
1.02	.040	1.78	.070	2.54	.100	9.65	.380
0.25	.010	1.486	.0585	2.41	.095	6.55	.258
0.13	.005	1.47	.058	2.24	.088	6.40	.252
0.00076	.000030	1.40	.055	2.16	.085	3.94	.155
0.00038	.000015	1.359	.0535	1.93	.076	2.92	.115
MM	IN	MM	IN	MM	IN	MM	IN

CONVERSION TABLE



THIS DRAWING IS A CONTROLLED DOCUMENT.

DWN	T. BECK	5-08-97
CHK	R. SWING	5-08-97
APVD	A. BEDDICK	8-22-97

AMP Incorporated  
Harrisburg, PA 17105-3608

NAME: RECEPTACLE, .058 DIAMETER, 24-20 AWG, .045-.070 INSULATION, P.C. CONTACT

SIZE: A2 CAGE CODE: 00779 DRAWING NO: C-60598 RESTRICTED TO: -

MATERIAL: SEE TABLE FINISH: SEE TABLE WEIGHT: -

CUSTOMER DRAWING SCALE: 10:1 SHEET: 1 OF 1 REV: AH